

| | | | |
|----------------------------|---|----------------------|---|
| G.V.W.R. | 14,000# | Axle | (2) 7,000# EZ Lube w/Electric Brakes |
| G.A.W.R. (Ea. Axle) | 7,000# | Supension | Multi-Leaf Spring w/Equalizer |
| Coupler | Adjustable Cast 2-5/16" | Tire | ST235/80 R-16 Load Range E |
| Safety Chains | 3/8" Grd. 70 w/Safety Latch Hook (2 each) | Wheel | 16" x 6" HD White Mod 8 Bolt |
| Jack | 12,000# Drop Leg Jack - Side Wind | Floor | 2" Treated Pine or Doublas Fur* |
| Tongue | 6" Channel Fold Back/Wrap | Lights | L.E.D. D.O.T. Stop, Tail, Turn & Clearance |
| Top Rail | None | Elec. Plug | 7-Way RV |
| Frame | 6" Channel | Finish (Prep) | Steel is Cleaned to Ensure a Professional Smooth Finish. |
| Crossmembers | 3" Channel on 16" Centers | | |
| Uprights | None | Finish | Superior Quality Finish is Applied for a Highly Decorative and Protective Finish. |
| Fenders | 3/16" Diamond Plate Drive Over | | |

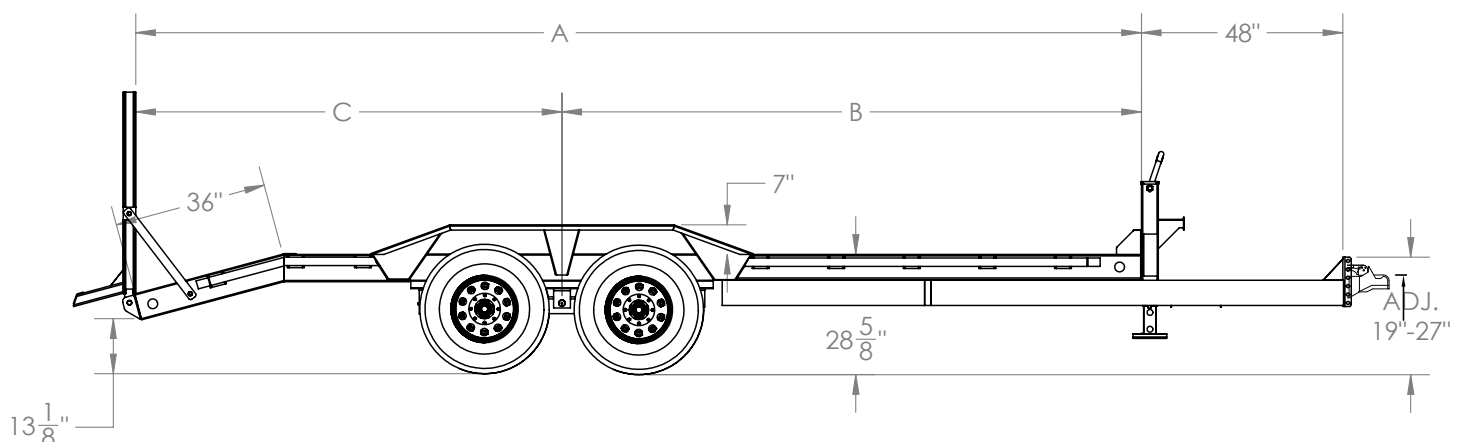
* Douglas Fir Available from Caldwell, ID Facility Only

Standard Features

- Rubrail and Tie Down Pockets Along Sides
- 36" Cleated, Self Cleaning Dovetail
- 4' Tall Channel Stand Up Ramps with Adj. Support Legs
- Adjustable 2-5/16" 14,000# Cast Coupler
- Fold Back/Wrap Tongue
- 12,000# Drop Leg Jack- Side Wind Against Bed
- Fabricated Front Stop Rail
- EZ Lube Hubs
- Dexter Brand Axles
- Nev-R-Adjust Electric Brakes on All Hubs
- Cambered Axles
- 3/16" Diamond Plate Drive Over Fenders
- Full Width In Front and Behind Fenders
- Grommet Mount Sealed Lighting
- L.E.D. Lighting Package
- Sealed Modular Wiring Harness
- Spare Tire Mount (Front)
- Complete Break-A-Way System w/Charger
- Radial Tires

Description

| Dimensions | | | |
|------------|----------|------|----------|
| Length | A | B | C |
| 18' | 217-1/2" | 127" | 90-1/2" |
| 20' | 240" | 138" | 102" |
| 22' | 217-1/2" | 153" | 110-1/2" |



14DF Tandem Axle Equipment



| Model | Weight* | Description |
|---------|---------|---|
| 14DF-18 | 3,205# | 96" x 18' Tandem Axle Equipment Trailer |
| 14DF-20 | 3,340# | 96" x 20' Tandem Axle Equipment Trailer |
| 14DF-22 | 3,675# | 96" x 22' Tandem Axle Equipment Trailer |

*Weights shown are for base models without options and are estimates only

Optional Equipment

| Category | Description |
|---------------|---|
| COUPLERS | Adjustable Pintle in Channel in Lieu of Coupler |
| BRAKES | Hydraulic Surge Brakes 2 Axles w/ Adjustable Demco Actuator |
| TIRE/WHEEL | Spare Tire (ST235/80 R-16 LR-E) |
| TIRE/WHEEL | Tire Upgrade (ST235/85 R-16 LR-G) |
| TIRE/WHEEL | Spare Tire Upgrade (ST235/85 R-16 LR-G) |
| BODY | 1/8" Diamond Plate Steel Floor (Per Square Foot) |
| CARGO CONTROL | Recessed D-Ring in Floor (Steel Floor Only) |
| CARGO CONTROL | B40 5/8" D-Ring (Each) |

Specialty Model - Limited Options