

# 30AA/35AA Single Axle All-Around Trailer

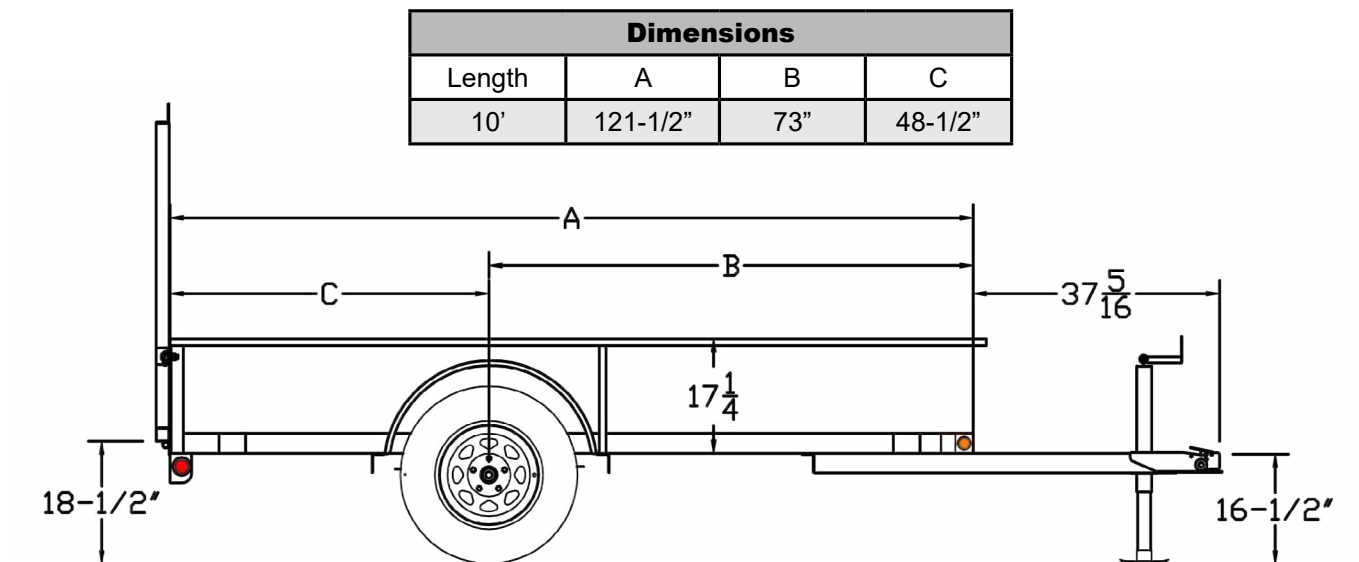
<b>G.V.W.R.</b>	2,995#	<b>Axle</b>	3,500# EZ Lube Axle w/ Brake Flanges
<b>G.A.W.R. (Ea. Axle)</b>	2,995#	<b>Supension</b>	Multi-Leaf Spring
<b>Coupler</b>	2" A-Frame	<b>Tire</b>	ST205/75R-15 Load Range C
<b>Safety Chains</b>	1/4" Grd. 30 w/ Safety Latch Hook (2 ea)	<b>Wheel</b>	15" x 5; White Spoke, 5 on 5 Bolt Pattern
<b>Jack</b>	2,000# Top Wind (Bolted On)	<b>Floor</b>	2" Treated Pine or Douglas Fir*
<b>Tongue</b>	3" Channel	<b>Lights</b>	L.E.D. D.O.T. Stop, Tail, Turn & Clearance
<b>Sides</b>	14" Solid Formed (14 Ga.) Side Panels w/ 2" Lip	<b>Elec. Plug</b>	4-Way Flat w/ Loom
<b>Frame</b>	3" x 2" x 3/16" Angle	<b>Finish (Prep)</b>	Steel is Cleaned to Ensure a Professional, Smooth Finish
<b>Crossmembers</b>	3" x 2" x 3/16" Angle		
<b>Uprights</b>	3" x 2" x 3/16" Angle	<b>Finish</b>	Superior Quality Finish is Applied for a Highly Decorative and Protective Finish
<b>Fenders</b>	9" x 32" Rolled Formed w/ Back		

\* Douglas Fir Available from Caldwell, ID Facility Only

## Standard Features

- (4) Tie Down Loops Inside Bed
- EZ Lube Hubs
- Dexter Brand Axle
- 14" Solid Formed Steel Side & Front Panels
- Grommet Mount Sealed Lighting
- L.E.D. Lighting Package
- Protected Wiring
- Lower Support Jack Plate
- Radial Tires **NEW!**
- Brake Flanges on Axle for Easy Brake Addition
- Removable Sand Foot on Jack
- A-Frame Channel Tongue
- (4) Tie Down Pockets on Outside of Frame

## Description



\*Shown with optional rampgate.

# 30AA/35AA Single Axle All-Around Trailer ●



Shown with optional rampgate and spare tire mount.

◆ Model	Weight*	Description
30AA-10	840#	60" x 10' Single Axle "All-Around" Utility Trailer
35AA-10	940#	77" x 10' Single Axle "All-Around" Utility Trailer

\*Weights shown are for base models without options and are estimates only

## Optional Equipment

Category	Description
COUPLERS	2" Forged Coupler
BRAKES	Electric Brakes w/ Complete Brake-Away Kit
JACKS	2,000# Fold-Up Jack
JACKS	Set Back Jack
TIRE/WHEEL	Spare Tire Mount (Side)
TIRE/WHEEL	Spare Tire & Wheel (ST205/75R-15 LR-C)
RAMPS	4' Tall Rear Rampgate for 30AA
RAMPS	4' Tall Rear Rampgate for 35AA
RAMPS	5' Tall Rear Rampgate for 30AA
RAMPS	5' Tall Rear Rampgate for 35AA
RAMPS	Gas Shock Assist Option for Rampgate
CARGO CONTROL	Additional Tie Down Pockets (Each)
CARGO CONTROL	Additional Tie Loops (Each)