

# 45LA Tandem Axle Angle Iron Utility

<b>G.V.W.R.</b>	4,500#	<b>Axle</b>	(2) 3,500# EZ Lube w/ (1) Elec. Brake
<b>G.A.W.R. (Ea. Axle)</b>	3,500#	<b>Supension</b>	Multi-Leaf Spring w/ Equalizer
<b>Coupler</b>	2" A-Frame	<b>Tire</b>	ST205/75R-15 Load Range C
<b>Safety Chains</b>	1/4" Grd. 30 w/Safety Latch Hook (2 ea)	<b>Wheel</b>	15" x 5"; White Spoke 5 on 5 Bolt Pattern
<b>Jack</b>	2,000# Top Wind (Bolted On)	<b>Floor</b>	2" Treated Pine or Douglas Fir*
<b>Tongue</b>	4" Channel	<b>Lights</b>	L.E.D. D.O.T. Stop, Tail, Turn & Clearance
<b>Top Rail</b>	3" x 2" x 3/16" Angle	<b>Elec. Plug</b>	7-Way RV
<b>Frame</b>	3" x 2" x 3/16" Angle	<b>Finish (Prep)</b>	Steel is Cleaned to Ensure a Professional Smooth Finish.
<b>Crossmembers</b>	3" x 2" x 3/16" Angle	<b>Finish</b>	Superior Quality Finish is Applied for a Highly Decorative and Protective Finish.
<b>Uprights</b>	14" Tall, 2" x 2" x 1/8" Angle		
<b>Fenders</b>	9" x 72" Rolled Formed w/Back		

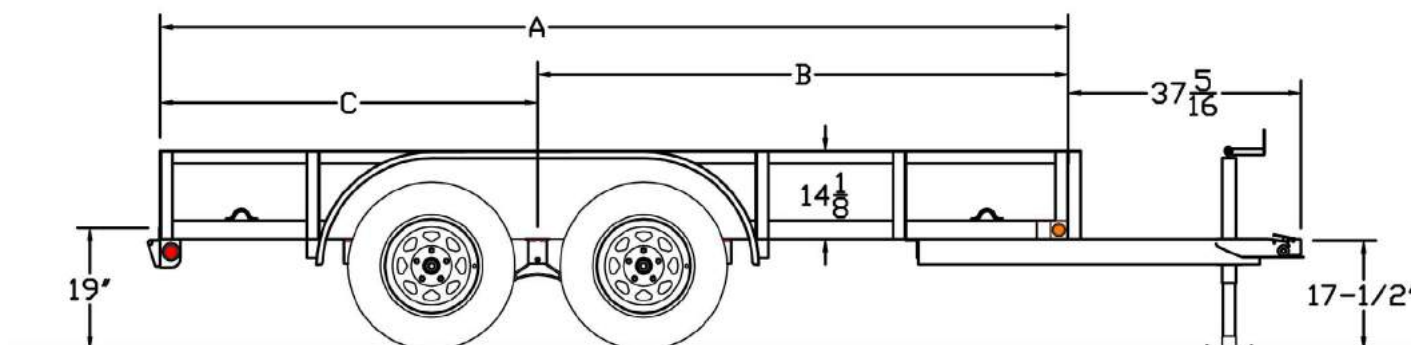
\* Douglas Fir Available from Caldwell, ID Facility Only

## Standard Features

- (4) Tie Down Loops Inside Bed
- EZ Lube Hubs
- Dexter Brand Axles
- Nev-R-Adjust Electric Brakes
- Grommet Mount Sealed Lighting
- L.E.D. Lighting Package
- Protected Wiring
- Removable Sand Foot on Jack
- Complete Break-A-Way System w/Charger
- Radial Tires **NEW!**

## Description

Dimensions			
Length	A	B	C
10'	121-1/2"	73"	48-1/2"
12'	145-1/2"	85"	60-1/2"
14'	169-1/2"	103"	72-1/2"



# 45LA Tandem Axle Angle Iron Utility ●



Shown with optional rampgate and spare tire mount

◆ Model	Weight*	Description
45LA-10	1,160#	60" x 10' Tandem Axle Angle Iron Utility Trailer
45LA-12	1,235#	60" x 12' Tandem Axle Angle Iron Utility Trailer
45LA-14	1,310#	60" x 14' Tandem Axle Angle Iron Utility Trailer

\*Weights shown are for base models without options and are estimates only

## Optional Equipment

Category	Description
COUPLERS	2" Forged Coupler
COUPLERS	2-5/16" Stamped Coupler
COUPLERS	2-5/16" Forged Coupler
JACKS	2,000# Fold-Up Jack
JACKS	Set Back Jack
BRAKES	Electric Brakes on 2nd Axle
BRAKES	Hydraulic Surge Brakes 1 Axle w/Atwood Actuator
BRAKES	Hydraulic Surge Brakes 2 Axles w/ Atwood Actuator
TIRE/WHEEL	Spare Tire Mount (Side)
TIRE/WHEEL	Spare Tire (ST205/75R-15 LR-C)
RAMPS	4' Tall Rear Rampgate
RAMPS	5' Tall Rear Rampgate
RAMPS	Gas Shock Assist Option for Rampgate
BODY	Heavy Duty Frame (4" x 3" x 1/4" Angle)
BODY	Enclose Sides w/ Expanded Metal (Per Square Foot)
BODY	Enclose Sides w/ Sheet Metal (Per Square Foot)
BODY	2' High Sides (Open)
BODY	3' High Sides (Open)
BODY	4' High Sides (Open)
BODY	1/8" Diamond Plate Steel Floor (Per Square Foot)
CARGO CONTROL	Tie Down Pockets (Each)
CARGO CONTROL	Additional Tie Loops (Each)